

BACCO Collection

Designer Omar De Biaggio

JOBS



DESCRIPTION

The BACCO Collection is manufactured in solid wood legs, (oak , ash, walnut) with a plywood 3D shell, fully upholstered.

In the choice of fabrics, it is also possible to use different fabrics/leathers for a bi-color effect.

VERSIONS

BACCO CHAIR Wood
BACCO CHAIR
BACCO CHAIR WITH ARMREST
BACCO COUNTER STOOL
BACCO BARSTOOL
BACCO OFFICE CHAIR

CERTIFICATIONS

Foam meets Technical Bulletin California 117 test. Other foams on request.

DIMENSIONS in cm

CHAIR



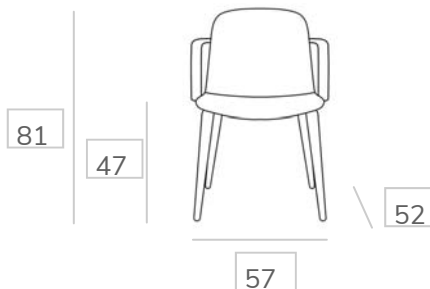
PACKAGING

Weight 18 kg
Pcs/carton 2
Volume 0,36 cbm

UPHOLSTERY

Fully upholstered 0,65 cm x 140 cm

CHAIR WITH ARMREST



PACKAGING

Weight 9 kg
Pcs/carton 1
Volume 0,33 cbm

UPHOLSTERY

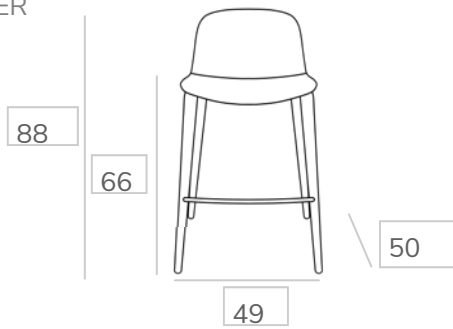
Fully upholstered 0,65 cm x 140 cm

JOBS

JOBS Srl via Maroncelli 25/b 33044 Manzano (UD) Italy Tel/Fax: +39 351 6268482 info@jobschairs.com jobschairs.com

DIMENSIONS in cm

COUNTER
STOOL



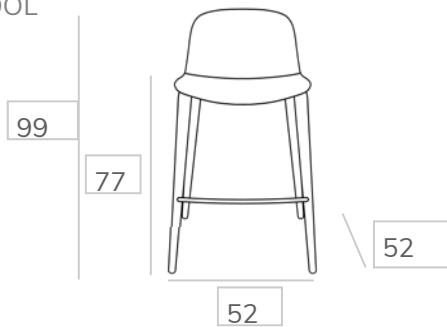
PACKAGING

Weight 9,7 kg
Pcs/carton 1

UPHOLSTERY

Fully upholstered 0,60cm x 140 cm

BARSTOOL



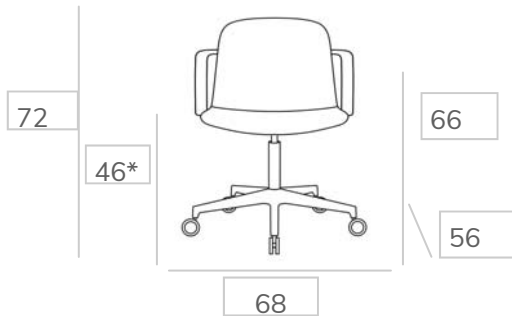
PACKAGING

Weight 10 Kg
Pcs/carton 1

UPHOLSTERY

Fully upholstered 0,60cm x 140 cm

OFFICE
CHAIR



* Standard gas system
from 42 to 52 cm

PACKAGING

Weight 10 Kg
Pcs/carton 1

UPHOLSTERY

Fully upholstered 0,85cm x 140 cm

CHAIR Wood



PACKAGING

Weight 16 kg
Pcs/carton 2
Volume 0,36 cbm

MIX AND MATCH - our COLORS

WOODEN FRAME



OAK

ASH

american
WALNUT

MORE
WOODEN
FINISHES
On REQUEST

BACCO CHAIR Wood

SHELL



3D
veneer WALNUT

METAL FRAME



Black, mat



RAL on request



chrome